

## NOM Statement

- Los cables de la fuente de poder deben ser guiados de tal manera que no sean pisados ni pellizcados por objetos colocados sobre o contra ellos, poniendo particular atención a los contactos y receptáculos donde salen del aparato.
- El equipo eléctrico debe ser limpiado únicamente de acuerdo a las recomendaciones del fabricante.
- En caso de existir, una antena externa deberá ser localizada lejos de las líneas de energía.
- El cable de corriente deberá ser desconectado del cuando el equipo no sea usado por un largo periodo de tiempo.
- Cuidado debe ser tomado de tal manera que objetos líquidos no sean derramados sobre la cubierta u orificios de ventilación.
- Servicio por personal calificado deberá ser provisto cuando:
  - A: El cable de poder o el contacto ha sido dañado; u
  - B: Objetos han caído o líquido ha sido derramado dentro del aparato; o
  - C: El aparato ha sido expuesto a la lluvia; o
  - D: El aparato parece no operar normalmente o muestra un cambio en su desempeño; o
  - E: El aparato ha sido tirado o su cubierta ha sido dañada.



© Copyright 2013. Black Box Corporation. All rights reserved. Black Box® and the Double Diamond logo are registered trademarks of BB Technologies, Inc. Any third-party trademarks appearing in this manual are acknowledged to be the property of their respective owners.

LGB304A, rev. 1

FREE! Live, 24/7 Tech Support is just 30 seconds away.  
724-746-5500 | blackbox.com

## FCC and IC RFI Statements; CE Notice

FEDERAL COMMUNICATIONS COMMISSION  
and INDUSTRY CANADA  
RADIO FREQUENCY INTERFERENCE STATEMENTS

Class B Digital Device. This equipment has been tested and found to comply with the limits for a Class B computing device pursuant to Part 15 of the FCC Rules. These limits are designed to provide reasonable protection against harmful interference in a residential installation. However, there is no guarantee that interference will not occur in a particular installation. This equipment generates, uses, and can radiate radio frequency energy, and, if not installed and used in accordance with the instructions, may cause harmful interference to radio communications. If this equipment does cause harmful interference to radio or telephone reception, which can be determined by turning the equipment off and on, the user is encouraged to try to correct the interference by one of the following measures:

- Reorient or relocate the receiving antenna.
- Increase the separation between the equipment and receiver.
- Connect the equipment into an outlet on a circuit different from that to which the receiver is connected.
- Consult an experienced radio/TV technician for help.

### Caution:

Changes or modifications not expressly approved by the party responsible for compliance could void the user's authority to operate the equipment.

To meet FCC requirements, shielded cables and power cords are required to connect this device to a personal computer or other

Class B certified device. This digital apparatus does not exceed the Class B limits for radio noise emission from digital apparatus set out in the Radio Interference Regulation of Industry Canada.

Le présent appareil numérique n'émet pas de bruits radioélectriques dépassant les limites applicables aux appareils numériques de classe B prescrites dans le Règlement sur le brouillage radioélectrique publié par Industrie Canada.

### CE WARNING:

This is a Class B product. In a domestic environment, this product may cause radio interference in which case the user may be required to take adequate measures.

LGB304A, rev. 1

724-746-5500 | blackbox.com

## NOM Statement

Normas Oficiales Mexicanas (NOM)  
Electrical Safety Statement  
INSTRUCCIONES DE SEGURIDAD

- Todas las instrucciones de seguridad y operación deberán ser leídas antes de que el aparato eléctrico sea operado.
- Las instrucciones de seguridad y operación deberán ser guardadas para referencia futura.
- Todas las advertencias en el aparato eléctrico y en sus instrucciones de operación deben ser respetadas.
- Todas las instrucciones de operación y uso deben ser seguidas.
- El aparato eléctrico no deberá ser usado cerca del agua—por ejemplo, cerca de la tina de baño, lavabo, sótano mojado o cerca de una alberca, etc.
- El aparato eléctrico debe ser usado únicamente con carritos o pedestales que sean recomendados por el fabricante.
- El aparato eléctrico debe ser montado a la pared o al techo sólo como sea recomendado por el fabricante.
- Servicio—El usuario no debe intentar dar servicio al equipo eléctrico más allá de lo descrito en las instrucciones de operación. Todo otro servicio deberá ser referido a personal de servicio calificado.
- El aparato eléctrico debe ser situado de tal manera que su posición no interfiera su uso. La colocación del aparato eléctrico sobre una cama, sofá, alfombra o superficie similar puede bloquear la ventilación, no se debe colocar en libreros o gabinetes que impidan el flujo de aire por los orificios de ventilación.
- El equipo eléctrico debe ser situado fuera del alcance de fuentes de calor como radiadores, registros de calor, estufas u otros aparatos (incluyendo amplificadores) que producen calor.
- El aparato eléctrico deberá ser conectado a una fuente de poder sólo del tipo descrito en el instructivo de operación, o como se indique en el aparato.
- Precaución debe ser tomada de tal manera que la tierra física y la polarización del equipo no sea eliminada.

LGB304A, rev. 1

724-746-5500 | blackbox.com

## Chapter 1: Specifications; Chapter 2: Overview

### 1. Specifications

**Buffer Memory** — 1 MB

**Certifications** — FCC Class B, CE

**Filtering/Forwarding Rates** — 1000-Mbps port: 1,488,000 pps;

100-Mbps port: 148,800 pps;

10-Mbps port: 14,880 pps

**MAC Address** — 2K

**Standards** — IEEE 802.3 10BASE-T, IEEE 802.3u 100BASE-TX, IEEE 802.3ab

1000BASE-T, IEEE 802.3x flow control

**Transmission Media** — 10BASE-T CAT3, 4, 5 UTP/STP;

100BASE-TX CAT5 UTP/STP;

1000BASE-T CAT5e UTP/STP

**Transmission Method** — Store-and-forward

**Connectors** — On unit: (4) RJ-45 ports;

On cable: (1) USB Type A, (1) barrel connector for power

**Indicators** — (1) Power LED, (4) Link/Act LEDs (one per port)

**Temperature Tolerance** — Operating: 32 to 104° F (0 to 40° C);

Storage: -4 to 194° F (-20 to +90° C)

**Relative Humidity** — 10 to 90%, noncondensing

**Power** — Input from USB port or supplied power adapter: 5 VDC;

Consumption: 2.25 watts max.

**Size** — 0.8"H x 2.4"W x 3.1"D (2 x 6.2 x 7.9 cm)

**Weight** — 0.4 lb. (0.2 kg)

### 2. Overview

#### 2.1 Introduction

The USB-Powered Gigabit 4-Port Switch provides (4) 10-/100-/1000-Mbps ports. This portable switch is great for setting up impromptu networks or expanding the number of available ports.

The switch can be powered by USB, so it's ideal for situations where the number of power outlets is limited.

#### 2.2 Features

- Autonegotiates 10-/100-/1000-Mbps speeds.
- Pocket-sized, with metal case.
- Auto-detects full-/half-duplex modes for any port.

LGB304A, rev. 1

724-746-5500 | blackbox.com

Page 1

## Chapter 2: Overview

- Dedicated full-duplex 2000-Mbps bandwidth.
- Uses store-and-forward switching methods.
- Supports IEEE 802.3x flow control for full-duplex and backpressure flow control for half-duplex.
- Supports non-blocking and non-head-of-line blocking full wire speed forwarding.
- All ports have Auto-MDI/MDI-X.
- Smart plug-and-play.

### 2.3 What's Included

Your package should include the following items. If anything is missing or damaged, contact Black Box Technical Support at 724-746-5500 or info@blackbox.com.

- USB-Powered Gigabit 4-Port Switch
- power adapter
- USB cable
- (2) magnets
- (4) rubber feet
- This user's manual

### 2.4 Hardware Description

Figures 2-1 and 2-2 show the top, front, and side panels of the switch. Table 2-1 describes the components.

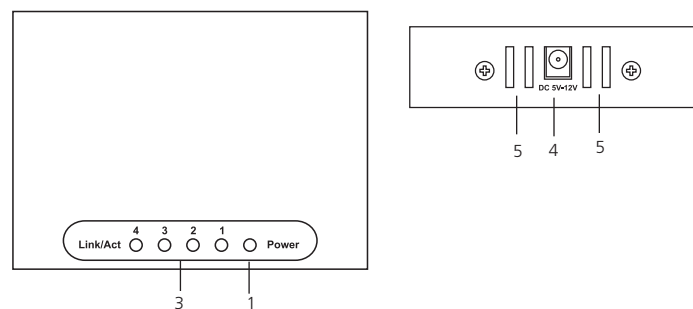


Figure 2-1. LGB304A top and front panels.

LGB304A, rev. 1

724-746-5500 | blackbox.com

Page 2

## Chapter 2: Overview

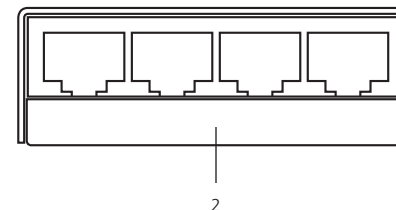


Figure 2-2. LGB304A side panel.

Table 2-1. LGB304A switch components.

Number in Figures 2-1 and 2-2	Component	Description
1	(1) Power LED	On when power to the switch is on. Off when power to the switch is off.
2	(4) RJ-45 ports	Connect RJ-45 peripherals to switch Ports 1–4.
3	(4) Link/Act LEDs	On when port is connected. Off when there is no connection. Flashing when data is transmitted or received.
4	Power connector	Links to USB power source.
5	Vents	Used for airflow.

LGB304A, rev. 1

724-746-5500 | blackbox.com

Page 3



LGB304A

## USB-Powered Gigabit 4-Port Switch

Powered through your PC's USB port so there's no need to find a spare outlet.

Bring Gigabit speeds to your small network.



### Customer Support Information

Order toll-free in the U.S.: Call 877-877-BBOX (outside U.S. call 724-746-5500) FREE technical support 24 hours a day, 7 days a week: Call 724-746-5500 or fax 724-746-0746 Mailing address: Black Box Corporation, 1000 Park Drive, Lawrence, PA 15055-1018 Web site: www.blackbox.com • E-mail: info@blackbox.com

## Chapter 3: Installation

### 3. Installation

To install the switch:

- Connect your network devices to the unit's RJ-45 ports.
- Connect the included USB cable from your laptop or computer to power the switch, or connect the power supply to the switch.

Figure 3-1 shows a typical installation.

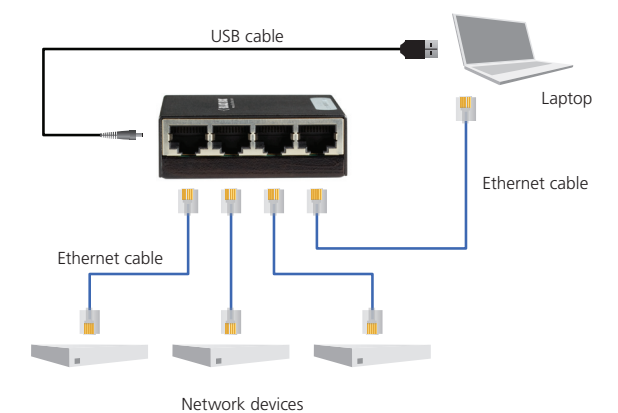


Figure 3-1. Typical installation.

LGB304A, rev. 1

724-746-5500 | blackbox.com

Page 4