

ServSwitch DT DVI 2- or 4-Port with USB Keyboard/Mouse

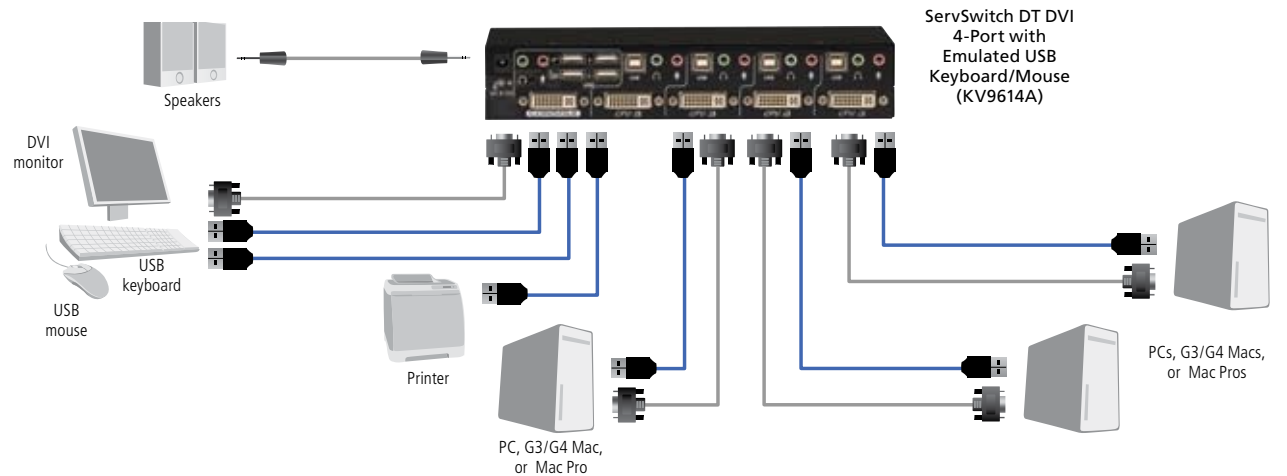
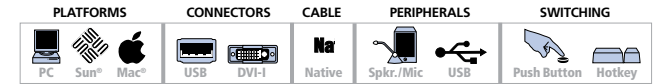
Switch PCs with single-link
DVI-D video and USB
keyboard/mouse.



FEATURES

- » Switch up to two or four PCs.
- » Supports resolutions up to 1920 x 1200 at 60 Hz.
- » DDC EDID support via emulation.
- » Provides emulation for a USB keyboard and mouse.
- » Supports hotkey switching.
- » Includes stereo audio.
- » 1-year warranty included.

Control up to two or four PCs, G3/G4 Mac®, or Mac Pro computers from a single console (USB keyboard, USB mouse, and DVI [Digital Visual Interface] monitor, plus audio).



OVERVIEW

The USB KVM switches enable you to access four CPUs with high-resolution DVI video connectors from a single workstation. Set up desktop KVM switching with high-quality DVI-D video.

Two models are available:

- ServSwitch DT DVI 2-Port with USB 2.0 (KV9612A)
 - ServSwitch DT DVI 4-Port with USB 2.0 (KV9614A)
- The ServSwitch DT DVI 2- or 4-Port with Emulated USB Keyboard/Mouse supports full DVI at resolutions up to 1920 x 1200 at 60 Hz.

The switches offer hotkey switching and support USB keyboard and mouse devices only.

What's more, the switches support stereo audio signal switching for speakers and microphones. Audio channels can be switched independently from USB and video.

TECH SPECS

Hotkey Switching — Yes

Resolution — 1920 x 1200 @ 60 Hz

Supported Operating Systems — Windows® 98 SE/Me/2000/XP/7, Windows Vista®, Mac OS X, Linux®

User Controls — KV9612A: (2) port buttons (labeled 1–2) also used for Scan time buttons and AutoScan, (1) function button;

KV9614A: (4) port buttons (labeled 1–4) also used for Scan time buttons and AutoScan, (1) function button

Connectors — KV9612A: (1) Power; Console end: (1) DVI-I, (2) USB Type A, (2) 3.5-mm jacks for audio (speaker and microphone); Computer end: (2) DVI-I, (2) USB Type B, (4) 3.5-mm jacks for audio (speaker and microphone)

KV9614A: (1) Power; Console end: (1) DVI-I, (4) USB Type A, (2) 3.5-mm jacks for audio (speaker and microphone); Computer end: (4) DVI-I, (4) USB Type B, (8) 3.5-mm jacks for audio (speaker and microphone)

Indicators — KV9612A: (2) Port; KV9614A: (4) Port

Temperature Tolerance — Operating: +32 to +104° F (0 to +40° C); Storage: -4 to +140° F (-20 to +60° C)

Power — From the interface or via a 5-VDC, 2-A power supply (included)

Size — KV9612A: 1.6"H x 4.9"W x 2.8"D (4.1 x 12.5 x 7.1 cm);

KV9614A: 1.7"H x 8.7"W x 5.1"D (4.4 x 2.2 x 13 cm)

Weight — KV9612A: 1.5 lb. (0.7 kg);

KV9614A: 2.2 lb. (1 kg)



KV9612A: front view



KV9614A: front view



KV9614A: rear view

Why Buy From Black Box? Exceptional Value. Exceptional Tech Support. Period.

Recognize any of these situations?

- You wait more than 30 minutes to get through to a vendor's tech support.
- The so-called "tech" can't help you or gives you the wrong answer.
- You don't have a purchase order number and the tech refuses to help you.
- It's 9 p.m. and you need help, but your vendor's tech support line is closed.

According to a survey by *Data Communications* magazine, 90% of network managers surveyed say that getting the technical support they need is extremely important when choosing a vendor. But even though network managers pay anywhere from 10 to 20% of their overall purchase price for a basic service and support contract, the technical support and service they receive falls far short of their expectations—and certainly isn't worth what they paid.

At Black Box, we guarantee the best value and the best support. You can even consult our Technical Support Experts before you buy if you need help selecting just the right component for your application.

Don't waste time and money—call Black Box today.

Technically Speaking

Digital Visual Interface (DVI).

The Digital Visual Interface (DVI) video standard is based on transition-minimized differential signaling (TMDS). In a typical single-line digital signal, voltage is raised to a high level and decreased to a low level to create transitions that convey data. To minimize the number of transitions needed to transfer data, TMDS uses a pair of signal wires. When one wire goes to a high-voltage state, the other goes to a low-voltage state. This balance increases the data-transfer rate and improves accuracy.

Although there are four types of DVI connectors, only DVI-D and DVI-I are commonly used for monitors. DVI-D is a digital-only connector. DVI-I supports both digital and analog RGB connections.

Item

Code

ServSwitch DT DVI with Emulated USB Keyboard/Mouse	
2-Port	KV9612A
4-Port	KV9614A

You may also need cables...

ServSwitch DT Series CPU Cables	
6-ft. (1.8-m)	EHN900024U-0006
10-ft. (3.0-m)	EHN900024U-0010
15-ft. (4.5-m)	EHN900024U-0015
Audio Cables	
5-ft. (1.5-m)	EJ110-0005
10-ft. (3.0-m)	EJ110-0010