

QUICK START GUIDE

SPECIFICATIONS	
VIDEO	
FORMAT	DVI-I Dual-Link
HOST INTERFACE	2-Port SH: (2) DVI-I 29-pin (female); 2-Port DH: (4) DVI-I 29-pin (female)
USER CONSOLE INTERFACE	2-Port SH: (1) DVI-I 29-pin (female); 2-Port DH: (2) DVI-I 29-pin (female)
MAXIMUM RESOLUTION	2560 x 1600 @ 60 Hz, 3840 x 2160 @ 30 Hz (w/HDMI-to-DVI adapter)
DDC	5 volts p-p (TTL)
INPUT EQUALIZATION	Automatic
INPUT CABLE LENGTH	Up to 20 ft. (6.1m)
OUTPUT CABLE LENGTH	Up to 20 ft. (6.1m)
USB	
SIGNAL TYPE	USB 1.1 keyboard and mouse only
USB CONNECTORS	2-Port SH: or DH (2) USB Type B; 2-Port SH w/CAC or DH w/CAC: (4) USB Type B
USER CONSOLE INTERFACE	All: (2) USB Type A for keyboard/ mouse connections; 2-Port SH w/CAC or DH w/CAC: (1) USB Type A for CAC
AUDIO	
INPUT	(2) 3.5-mm female stereo connectors
OUTPUT	(1) 3.5-mm female stereo connector
POWER	
POWER REQUIREMENTS	(1) 12-VDC, 3-A power adapter with center-pin positive polarity
ENVIRONMENT	
OPERATING TEMPERATURE	32 to 104° F (0 to 40° C)
STORAGE TEMPERATURE	-4 to +140° F (-20 to +60° C)
HUMIDITY	0 to 80% relative humidity, noncondensing
OTHER	
EMULATION	Keyboard, mouse and video
USER CONTROLS	Front-panel buttons

WHAT'S IN THE BOX

PART NUMBERS	
SS2P-SH-DVI-U	2-Port, Single-Head, DVI
SS2P-SH-DVI-UCAC	2-Port, Single-Head, DVI, with CAC
SS2P-DH-DVI-U	2-Port, Dual-Head, DVI
SS2P-DH-DVI-UCAC	2-Port, Dual-Head, DVI, with CAC

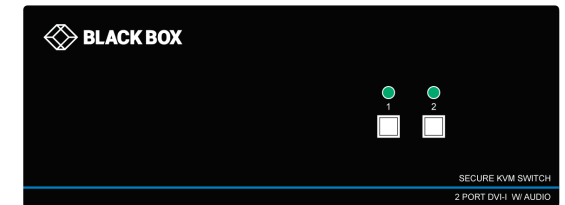
QUICK START GUIDE

SS2P-SH-DVI-U, SS2P-SH-DVI-UCAC, SS2P-DH-DVI-U, SS2P-DH-DVI-UCAC

SECURE KVM SWITCH

2-PORT, DVI, SINGLE-HEAD OR DUAL-HEAD WITH OR WITHOUT CAC

24/7 TECHNICAL SUPPORT AT 1.877.877.2269 OR VISIT BLACKBOX.COM



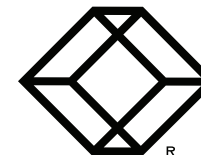
CUSTOMER SUPPORT INFORMATION

ORDER TOLL-FREE IN THE U.S.:
CALL 877-877-BBOX
(OUTSIDE U.S. CALL 1-724-746-5500)

FREE TECHNICAL SUPPORT

24 HOURS A DAY, 7 DAYS A WEEK:
CALL 877-877-2269
WEB SITE: WWW.BLACKBOX.COM
E-MAIL: INFO@BLACKBOX.COM

© Copyright 2018. Black Box Corporation. All rights reserved.
ss2p-sh-dvi-u_qsg_rev1.pdf



QUICK START GUIDE

EDID LEARN

The KVM switch is designed to learn a connected monitor's EDID upon power up. In the event of connecting a new monitor to the KVM, a power re-cycle is required.

The KVM switch will indicate the unit's EDID learn process is active by flashing the front panel's LEDs in sequential order. Starting with the LED above button "1" on the front panel, each LED will flash green for approximately 10 seconds upon beginning the EDID learn. Once all the LEDs stop flashing, the LEDs will cycle and the EDID learn will be complete.

If the KVM switch has more than one video board (such as dual-head and quad-head models), then the unit will continue to learn the EDIDs of the connected monitors and indicate the progress of the process by flashing the next port selection green and push button blue LEDs respectively.

A monitor must be connected to the video output port located in the console space at the back of the KVM switch during the EDID learn process.

If the read EDID from the connected monitor is identical to the current stored EDID in the KVM switch, then the EDID learn function will be skipped.

A full Manual can be downloaded from:
WWW.BLACKBOX.COM

HARDWARE INSTALLATION

1. Ensure that power is turned off or disconnected from the unit and the computers.
2. Use a DVI cable to connect the DVI output port from each computer to the corresponding DVI-I IN ports of the unit.
3. Use a USB cable (Type-A to Type-B) to connect a USB port on each computer to the respective USB ports of the unit.

QUICK START GUIDE

4. Optionally, for CAC models, connect a CAC (Common Access Card, Smart Card Reader) to the CAC port in the user console interface.
5. Optionally, connect a stereo audio cable (3.5-mm to 3.5-mm) to connect the audio output of the computers to the AUDIO IN ports of the unit.
6. Connect monitor(s) to the DVI-I OUT console port of the unit using a DVI cable.

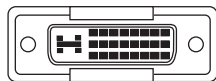
NOTE: You can connect one monitor to the single-head KVM switch and two monitors to the dual-head KVM switch.

7. Connect a USB keyboard and mouse in the two USB console ports.
8. Optionally, connect stereo speakers to the AUDIO OUT port of the unit.
9. Finally, power on the KVM switch by connecting a 12-VDC power supply to the power connector, and then turn on all the computers.

NOTE: The computer connected to port 1 will always be selected by default after power up.

NOTE: You can connect up to 2 computers to the 2 port KVM switch.

FIGURE 1. DVI CONNECTOR



Dual-Link DVI-I connector

QUICK START GUIDE

FIGURE 2. SINGLE-HEAD APPLICATION DIAGRAM

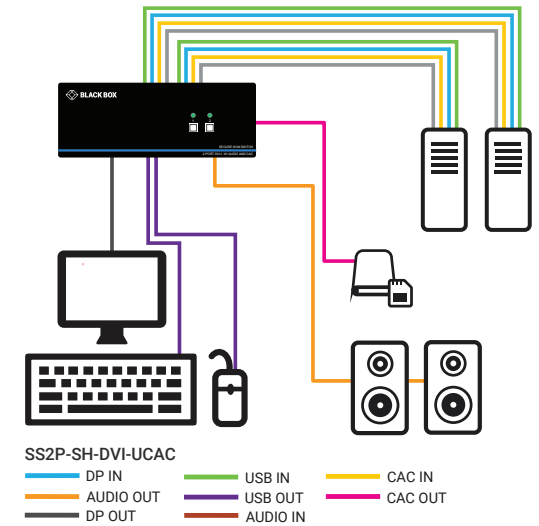


FIGURE 3. DUAL-HEAD APPLICATION DIAGRAM

