

# QUICK START GUIDE

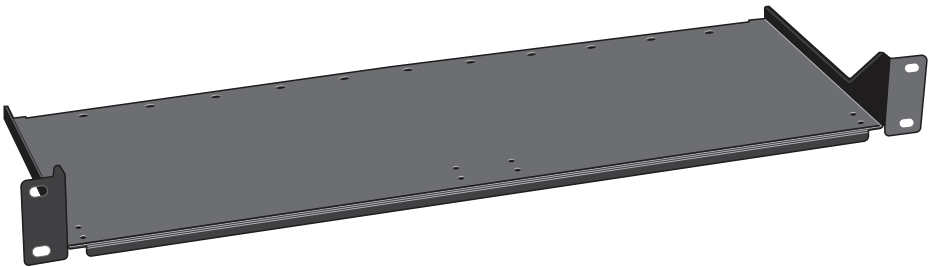
---

KVXLC-RMK

# RACKMOUNT TRAY

---

24/7 TECHNICAL SUPPORT AT 877.877.2269 OR VISIT [BLACKBOX.COM](https://www.blackbox.com)



**BLACK BOX**

## SAFETY WARNING

Rack loading — Overloading or uneven loading of racks may result in shelf or rack failure, possibly damaging the equipment and causing personal injury. Stabilize racks in a permanent location before loading begins. Do not exceed your rack's load rating.

The weights of the extenders are as follows:

KVXLC-100 transmitter: 0.79 lb. (0.36 kg); KVXLC-100 receiver: 0.84 lb. (0.38 kg);  
KVXLCF-100 transmitter: 0.77 lb. (0.35 kg); KVXLCF-100 receiver: 0.81 lb. (0.37 kg)

The weight of the Rackmount Tray is 1.75 lb. (4.45 cm).

## INTRODUCTION

Use the Rackmount Tray (KVXLC-RMK) to mount up to (2) KVXLC-100 extenders (transmitter[s] and/or receiver[s]) in a 2-/4-post 19" rack or cabinet.

## STEP 1: CHECK THE PACKAGE CONTENTS

### KVXLC-RMK PACKAGE CONTENTS

- (1) 19" RACKMOUNT TRAY
- (4) METAL BRACKETS
- (16) SCREWS FOR MOUNTING BRACKETS TO EXTENDERS AND EXTENDERS TO TRAY
- (4) 10-32 SCREWS FOR MOUNTING TRAY TO RACK
- THIS QUICK START GUIDE

## STEP 2: INSTALLING THE EXTENDERS ON THE RACKMOUNT TRAY

### INSTALLATION STEPS

**STEP 2A:** Remove the rackmount tray from the packaging and place it on a secure surface.

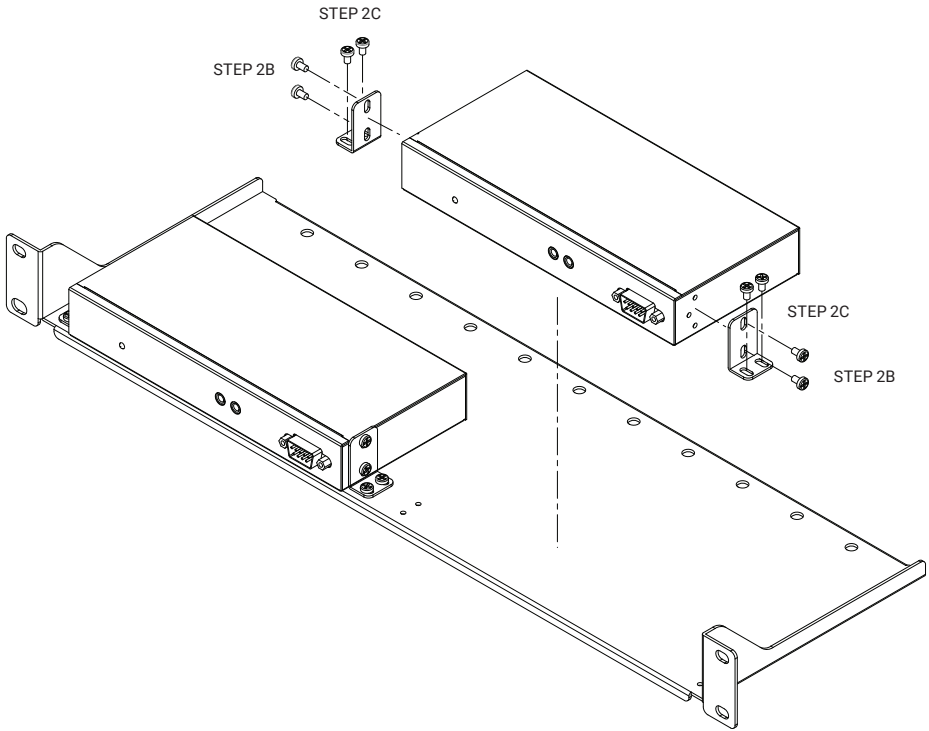
**NOTE:** You will need to use the included screws to complete the installation. Refer to the illustration shown on the next page.

**STEP 2B:** To install the bracket to the extender, insert two screws (included) through two adjacent holes on the bracket into the holes on the side of the extender. Using the second bracket, repeat this step on the other side of the extender.

**STEP 2C:** To install the extender/bracket assembly to the rackmount tray, insert two screws (included) through the two holes on the bottom of the bracket into the holes on the rackmount tray. Repeat this step on the other side of the extender/bracket assembly.

**STEP 2D:** If you want to install a second extender on the rackmount tray, repeat Steps 2 and 3.





## STEP 3: INSTALLING THE RACKMOUNT TRAY IN A 19-INCH RACK

### INSTALLATION STEPS

**STEP 3A:** Attach the tray to the 2-1/4-post rack/cabinet from the front. Secure the tray to the rack using two 10-32 screws (four are included) for each rack post.

**STEP 3B:** Tighten all mounting screws to secure the tray in the rack.

**STEP 3C:** Repeat for the other side.

**NEED HELP?  
LEAVE THE TECH TO US**

---

**LIVE 24/7  
TECHNICAL  
SUPPORT**

---

**1.877.877.2269**



**BLACK BOX**