



BLACK BOX[®]

NETWORK SERVICES

ServSwitch CX



KV1424A:

top: front view, bottom: rear view

- Optional IP support via http or REALVNC enables you to access servers remotely.
- Reset one or more host system power switches via it's power control port.
- USB Peripheral support for Keyboard and Mouse.
- High resolutions up to 1900 x 1440 or 1600 x 1200 via IP.
- True DDC Emulation.
- Sound transmission via CATx and IP !
- Built-in CATx technology extends KVM signals up to 300m.
- Optional Dual receivers allow switching between two separate systems or computers.
- MultiHead Video function via synchronous switching.
- Includes rackmounting hardware.

Easier connections than ever!

There are no bulky KVM cables to deal with - the ServSwitch™ CX enables up to four users to connect to the switch via CAT5, CAT5e, or CAT6 UTP cable. In addition, you can mix and match different kinds of servers on the same CX switch! Just run CATx cables from the switch's server ports to the Server Access Modules (SAMs) that connect to your servers. Simply choose the appropriate SAM for each server and you're all set.

Simple server selection.

Whether you're working at a user station or the local analog console port in the server room, you can select a server to access and control via on-screen menus or hotkeys. On-screen menus make server selection simple because you can give each server a name that makes sense to you.

Sight and sound support.

The CX provides super-sharp resolutions up to 1900 x 1440 for all users up to 50m away. And it displays 1024 x 1280 video resolution up to 300m away. By choosing a SAM with audio, you add support for stereo speakers, enabling you to hear audible alerts.

Up to simultaneous 4 IP Users.

Models with built-in IP connectivity enable you to access and switch remotely between servers over a private intranet or over the Internet for a single user. All you need is a Java™ enabled Web browser or VNC Viewer. Password security keeps out unauthorized users. Additional IP access can easily be added using Wizard IP (ACR2004A) attached to the local port or to a remote module. That way up to 4 users have simultaneous access to the attached servers!

Take charge with your power.

The ServSwitch CX has a power control port that enables a remote user to reset one or more power switches in the host system. Plus, dual power

DATA



VOICE



HOTLINE



Black Box Network Services

Find us worldwide:

Austria	Australia
Belgium	Brazil
Canada	Chile
Denmark	Finland
France	Germany
Ireland	Italy
Japan	Luxembourg
Malaysia	Mexico
Netherlands	Norway
New Zealand	Puerto Rico
Singapore	Spain
Sweden	Switzerland
UK	USA

Contact us worldwide: www.blackbox.eu

Datasheet: 48416 V.2
Page 1/3



BLACK BOX® NETWORK SERVICES

DATA



ServSwitch CX

connectors enable the CX to draw power from its included wallmount adapter or from an optional redundant power supply if there's a power failure.

Ready right now—and for the future.

The ServSwitch CX comes complete with rackmounting hardware to install the switch in any open 1U of rack space in your server room. The switch can also be flash upgraded, so it's obsolescence-proof.

Six flavours of remote CATx modules.

Depending on your needs there is a choice of six different CATx remote modules. The standard PS/2 version: KV04-REM supports full distance of 300m for video and PS/2 keyboard and mouse signals with sharpness and brightness control. The KV04A-REM offers additional sound capabilities. Top of the range is the DeSkew Audio Remote module allowing correction of color drift caused by cable twist differences with a budget of 62ns in 2ns steps for each color. For USB keyboard and mouse computer choose one of the dual USB receivers. These models allow the connection to two different systems or computers. The KV04U-REM supports full distance of 300m for video and USB keyboard and mouse signals with sharpness and brightness control. The KV04AU-REM offers additional sound capabilities. KV04AUS-REM is the DeSkew Audio Remote module allowing additionally correction of color drift caused by cable twist differences with a budget of 62ns in 2ns steps for each color.

MultiHead Video Support

Servers with MultiHead graphic adapter cards are supported via synchronisation of multiple ServSwitch CX units. Please contact Black Box FREE TECH SUPPORT for more details.

Central Enterprise Management

Using the optional Enterprise Management Software ServSwitch wizard.net, all your ServSwitch CX/ CX IP, ServSwitch Duo IP and Wizard IP/IP Plus can now be managed via a common surface. The EMS allows a high performance work-flow combines with efficient ergonomic and state-of-the-art security features. Call our FREE TECH SUPORT for more details.

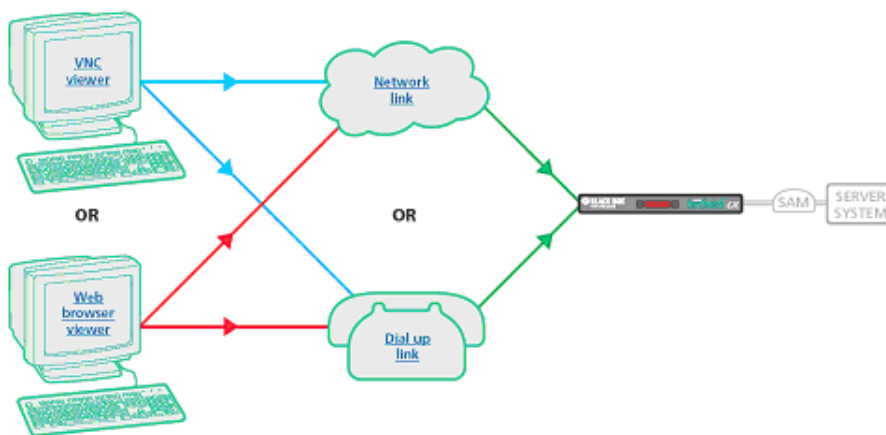
VOICE



HOTLINE



APPLICATION EXAMPLE 1: IP ACCESS OPTIONS



Black Box Network Services

Find us worldwide:

Austria	Australia
Belgium	Brazil
Canada	Chile
Denmark	Finland
France	Germany
Ireland	Italy
Japan	Luxembourg
Malaysia	Mexico
Netherlands	Norway
New Zealand	Puerto Rico
Singapore	Spain
Sweden	Switzerland
UK	USA

www.black-box.de

Datasheet: 48416 V.2

Page 2/3



BLACK BOX[®]

NETWORK SERVICES

DATA



VOICE

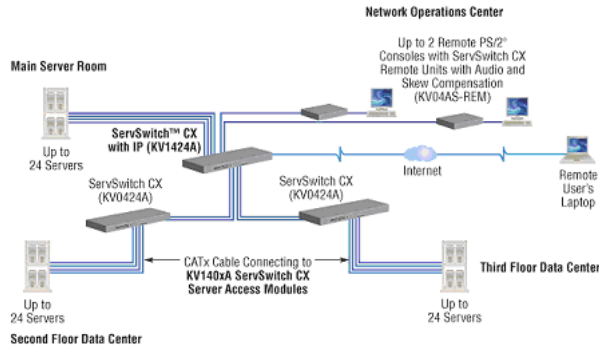


HOTLINE



APPLICATION

EXAMPLE 2: CASCADED SYSTEM SETUP



TECH SPECS

Distance (Maximum) — 300 m
Resolution (Maximum) — 1900 x 1440 @ 50 m
CE Approval — Yes
Connectors — Switches

KV0416A, KV0424A, KV1416A, KV1424A:
 Local analog console port: Monitor:
 (1) HD15 F; KM: PS/2: (2) 6-pin mini DIN F;
 USB: (2) Type A F;
 User ports: IP (2), Non-IP (4) RJ-45;
 Servers: (16) or (24) RJ-45;
 Audio: (1) 3.5 mm jack;
 Serial RS-232 (DTE): (1) DB9 F;
 Power control: (1) DB9 M;
 Power input: (2) barrel F for standard and
 optional redundant power supply;
 KV1416A, KV1424A also have:
 Modem: (1) DB9 M; IP: (1) RJ-45;

SAMs:
 KV1400A: (1) RJ-45, (2) 6-pin mini DIN M,
 (1) HD15 M;
 KV1402A: (1) RJ-45, (2) 6-pin mini DIN M,
 (1) HD15 M, (1) 3.5 mm plug;
 KV1401A: (1) RJ-45, (1) USB Type A M, (1) HD15M;

KV1403A: (1) RJ-45, (1) USB Type A M, (1) HD15 M,
 (1) 3.5 mm plug;
 KV1404A: (1) RJ-45, (1) 8-pin mini DIN M,
 (1) HD15 M, (1) 3.5 mm plug
Power — 100–240 VAC, 50–60 Hz, autosensing
Size —
 KV0416A, KV0424A: 44H x 483W x 216D mm;
 KV1416A, KV1424A: 44H x 483W x 279D mm

Cat X Remote Units:

Power — all: 100–240 VAC, 50–60 Hz, autosensing,
 external power supply (PS649-R2)
Size — PS/2 units: 125H x 75W x 25D mm
 USB units: 170H x 75W x 26D mm

Connectors —

KV04-REM, KV04A-REM, KV04AS-REM
 all: (1) RJ-45, (2) 6-pin mini DIN F, (1) HD15 F,
 (1) barrel F for optional redundant power supply
 KV04A-REM, KV04AS-REM: plus 3.5mm Audio jack
 KV04U-REM, KV04AU-REM, KV04AUS-REM
 all: (2) RJ-45, (2) USB Type A F, (1) HD15 F
 (1) barrel F for optional power supply
 KV04AU-REM, KV04AUS-REM: plus: 3.5 mm Audio

ORDER INFORMATION

Description	Itemnumber
ServSwitch CX	
(1) Analog Console Port + (4) CATx Users + (16) Servers	.KV0416A-R2
(1) Analog Console Port + (4) CATx Users + (24) Servers	.KV0424A-R2
ServSwitch CX IP	
(1) Analog Console Port + (1) IP User + (2) CATx User + (16) Servers	.KV1416A-R2
(1) Analog Console Por + (1) IP USer + (2) CATx User + (24) Servers	.KV1424A-R2
ServSwitch CX SAMs (order one for each server connection)	
PS/2	.KV1400A
PS/2 with Audio	.KV1402A
USB	.KV1401A
USB with Audio	.KV1403A
Sun with Audio	.KV1404A
CATx remote module (order one for each CATx User connection)	
PS/2	.KV04-EM
PS/2 with Audio	.KV04A-REM
PS/2 with Audio and DeSkew	.KV04AS-REM
Dual USB	.KV04U-REM
Dual USB with Audio	.KV04AU-REM
Dual USB with Audio and Deskew	.KV04AUS-REM

Black Box Network Services

Find us worldwide:

Austria	Australia
Belgium	Brazil
Canada	Chile
Denmark	Finland
France	Germany
Ireland	Italy
Japan	Luxembourg
Malaysia	Mexico
Netherlands	Norway
New Zealand	Puerto Rico
Singapore	Spain
Sweden	Switzerland
UK	USA

www.blackbox.eu

Datasheet: 48416 v.2
 page 3/3